

# ORE-M4M

MINI 4" MODULE

Patent Pending 2017

## ABSTRACT

The OffRoad Energy M4M (Mini 4" Module) was designed with durability, form, function and style in mind. The modules were originally designed to fulfill a need for heavy duty OffRoad bumpers and typical OffRoad vehicles used by Search and Rescue and Pro OffRoad race vehicles. With many applications ranging from OffRoad uses to many other environments, structures, and industries. Some of which are service and tactical security vehicles, Security Scene lights for Mobile command posts like FEMA, Police, Security and Military. Large agricultural machinery (Tractors, Conveyors, and processing plants) as well as large industrial equipment. Because of our experience and direct engagement with these industries the OffRoad Energy M4M-5500/7500 has evolved into a truly universal style utility work light.

Christopher Beaver

MARCH 19, 2017

OFFROAD ENRGY is there with the customer from real time engineering to real world testing.





Offroad Energy MH1K-LED400W utilizes the M4M Module used in a thru bulkhead configuration  
Using 7 of our M4M with our Prime UHO-Prime LED Driver



Here is a true to life picture with the MH1K-LED400W mounted on a scissor lift in the street at 20 feet  
We encourage our clients to consider all aspects of their specific applications from safety and efficiency to durability and longevity

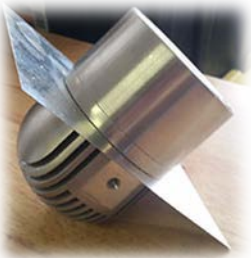


Featuring several mounting options including a removable swivel/tilt mount, tripod, thru bulkhead mounting and Pipe/Conduit. Application and engineering assistance available upon request to demonstrate mounting techniques



Swivel/Tilt mounting feature of the M4M is design with the 2 assembly bolts to use the same size hex key wrench for tilt tension screw on the side of the clevis and the housing attachment screw inside of the Top housing mount the base clevis is design to "one tool to mount" with bolt adapter for 1/4", 5/16" & 3/8" bolt heads. The base clevis will natively capture the head of a Standard SS 1/2"-13 Bolt

Pipe mount configuration



Through Bulkhead configuration



Work Light – Requested by Public Works utilizing Swivel/Tilt



Mounted on Building for security light



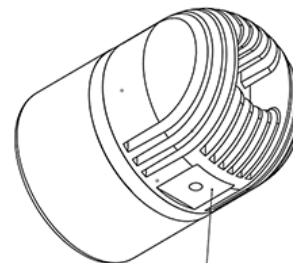
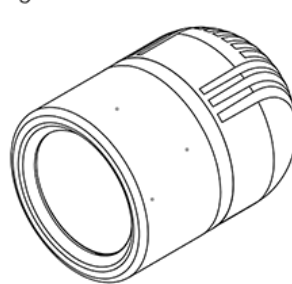
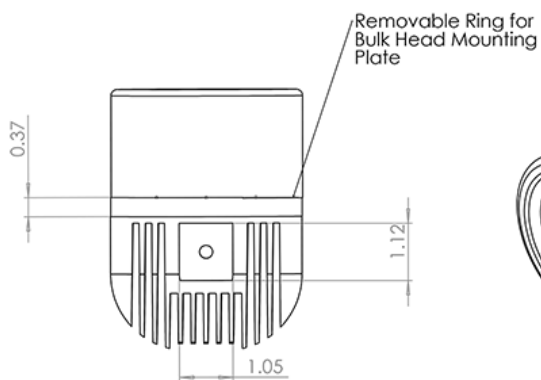
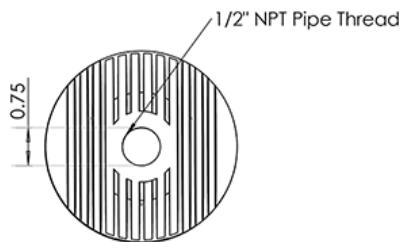
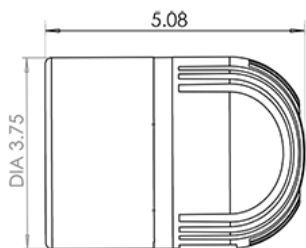
Pendant Style



## TECHNICAL SPECS

POWER AND OUTPUT for each light module				MECHANICAL For each light module	
Product Model	M4M-FOG-27K	M4M-5500-50K	M4M-7500-50K	Dimensions (H x W x L) in	3.75" x 3.75" x 5"
DC Driver Input Current @ 12VDC	3A	3A	4.5A	Weight W/ Swivel-Tilt (lbs.)	3.1lbs
DC Driver Input Current @ 24VDC	1.54A	1.54A	2.25A	Housing Material	Aluminum (6061)
Watts	37W	37W	54W	Optical Lens	High Impact Anti-Fog Glass
3 <sup>rd</sup> Party Verified Lumens	4800lm	5500lm	7500lm	Wire Gauge	18AWG Silicon Jacketed
Beam Angle Degrees	38 Deg	38 Deg	38 Deg	Connector	Deutsch Tech
CCT (Color Temperature) (Kelvin)	2700K	5000K	5000K	Warranty	Lifetime Limited

*NOTE: Our focus is High Output DC Lighting but, we do have AC connectivity which is special order.*



Bottom Heatsink mounting location  
5/16-18 threads